



ASF



Army Standard Family Expandable Shelter

Gichner Shelter Systems is proud to offer the one and two-sided ASF expandable shelter; a member of the family of standard rigid wall ISO shelters used by branches of the Department of Defense.

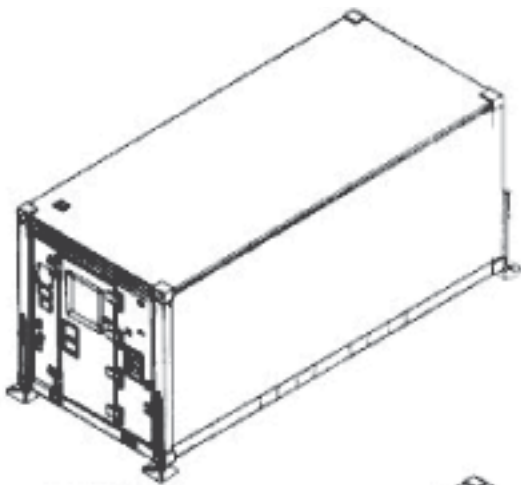
Weighing only 5,300lbs, the one sided expandable is able to accommodate an impressive payload of 9,700lbs. This impressive strength-to-weight ratio is the result of innovative material engineering. Panel construction consists of aluminum faced, honeycomb-core, hot-bonded panels, on the walls, roof, and floor. The ASF expandable is designed to allow for a maximum operating volume, while maintaining the dimensional requirements of ISO 668 and ANSI MH5.4 during transportation and storage modes, thus allowing for transport using all common intermodal transport methods.

In July of 2005, Gichner Shelter Systems was selected by Natick as the sole provider of the Army Standard Family Expandable Shelters to the U.S. armed forces, with a 5-year contract through July of 2010.

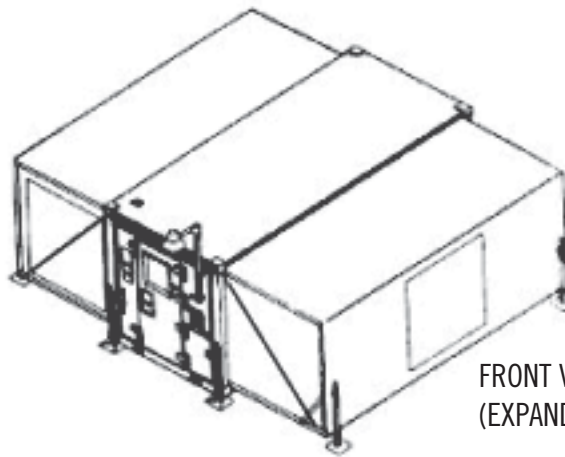


A TRADITION OF QUALITY

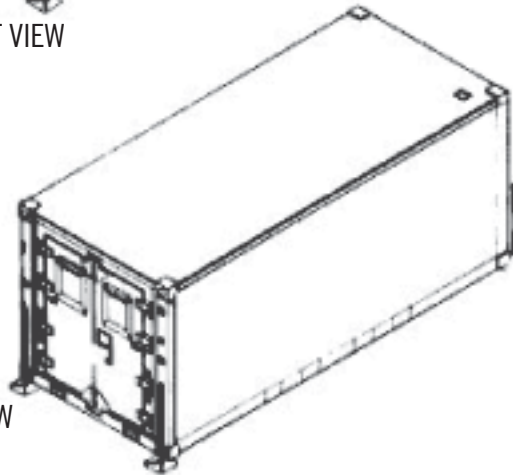
ASF



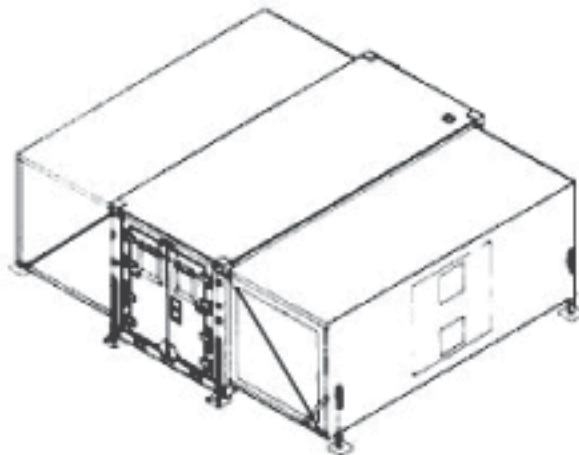
FRONT VIEW



FRONT VIEW
(EXPANDED)



REVIEW VIEW



REAR VIEW
(EXPANDED)

STOWED SHELTER

Performance Specifications:

Weight:

Single-Side: 5,520 lbs
Double-Side: 6,950 lbs

Payload:

Single-Side: 9,480 lbs
Double-Side: 8,050 lbs

Temperature Extremes

Operational: -65 F to 125 F

Non-Operational: -70 F to 160 F)

Wall Attachment Loading:

Potted Inserts installed anywhere withstand 455 Kg (1000 pounds) tensile loads.

Watertightness:

Double gaskets at all seams for protection against wind-driven rain.

Military Specifications:

ASTM E1977-98

ISO/ANSI Specifications:

ISO 1496/1 and ANSI MH5.1.1.1 and 5.4

Exterior Dimensions:

96 in. high 96 in. wide, 238-1/2 in. long

Interior Dimensions:

85.3 in. high, 90.8 in. wide, 229.3 in. long

Service Life:

15 years service, 20 years storage

Heat Transfer:

One-Side: 0.29 BTU/hr. ft 2/f

Two-Side: 0.31 BTU/hr. ft 2/f

Roof Loads:

Live load of 660 lbs. on an area 24 in. by or 75lb. /ft2 uniform snow load

Optional Items:

Skids: Three full-length replaceable skids



Dallastown, Pennsylvania USA
PH: 888 378 5570
FX: 717 246 5496
solutions@gichnerss.com
www.gichner.us