

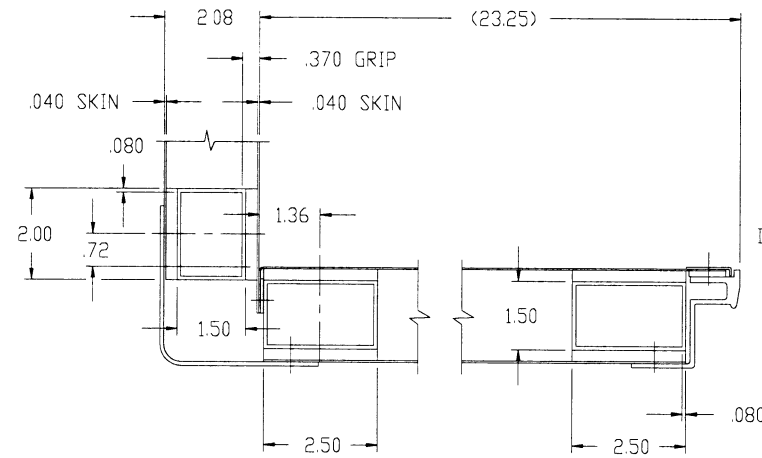
NOTES: UNLESS OTHERWISE SPECIFIED.

- OVERALL HEIGHT FOR SHELTER WITH RIGID SKIDS IS 87.25 MAX.
OVERALL HEIGHT FOR SHELTER WITH SHOCK SKIDS IS 86.38 MAX.

TYP SPACING FOR FLOOR,
ROOF, AND BOTH SIDES

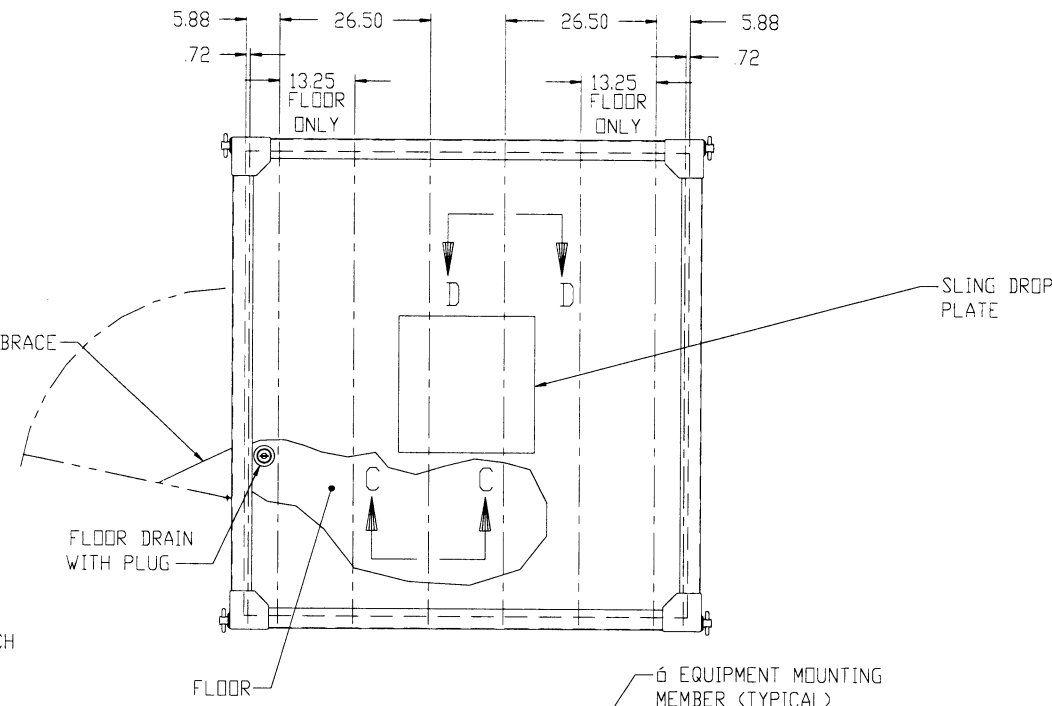
REVISIONS				
ZONE	REV	DESCRIPTION	DATE	APPROVED
A	ECN 99A14		BEC 99-01-12	HZ
B	ECN 030295		DJN 03-04-25	MDW

CAD MAINTAINED. CHANGES SHALL BE
INCORPORATED BY THE DESIGN ACTIVITY.

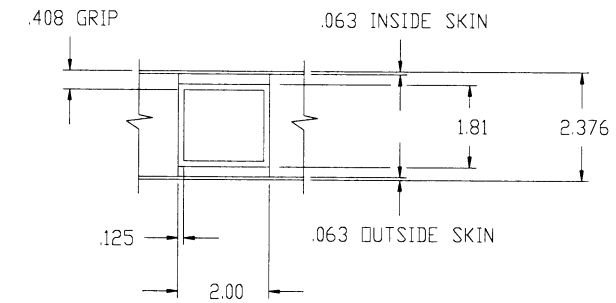


SECTION A-A
SCALE 1/2

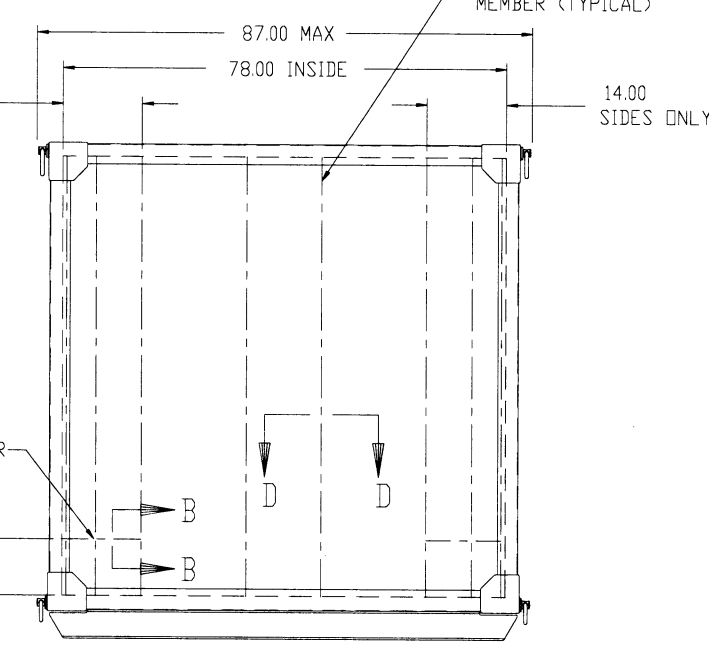
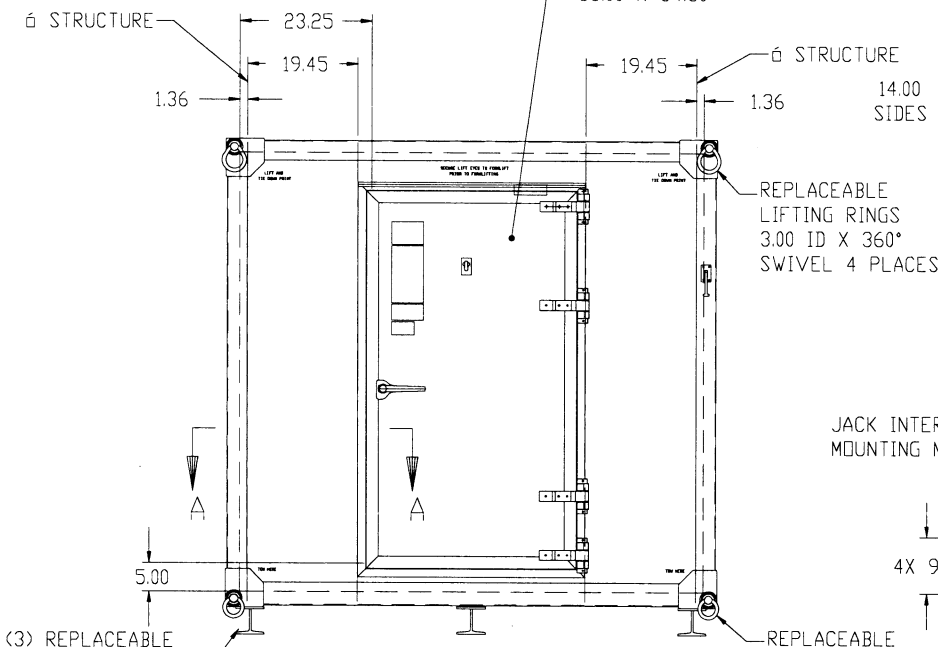
PERSONNEL DOOR
WITH 3 POINT CAM LATCH
DOOR OPENING
35.00 X 64.50



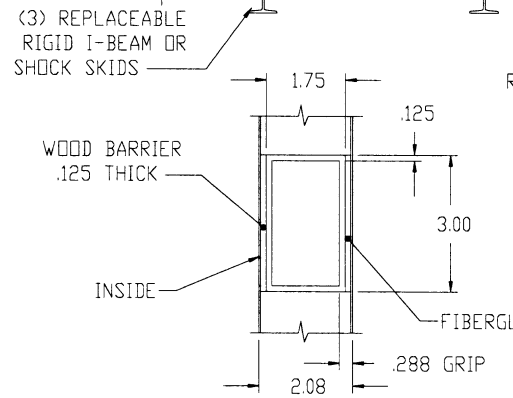
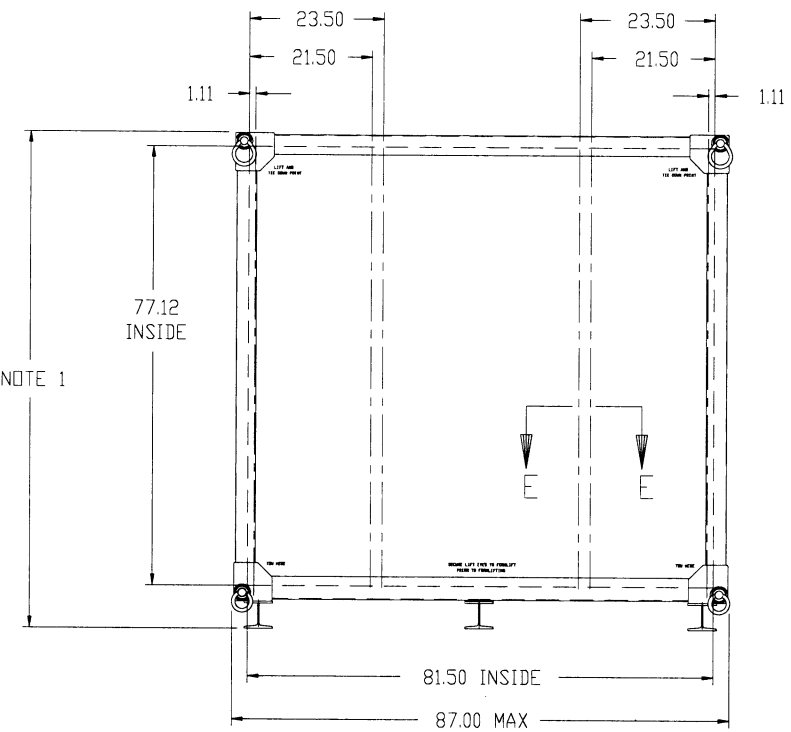
6 EQUIPMENT MOUNTING
MEMBER (TYPICAL)



SECTION C-C
SCALE 1/2
FLOOR ONLY

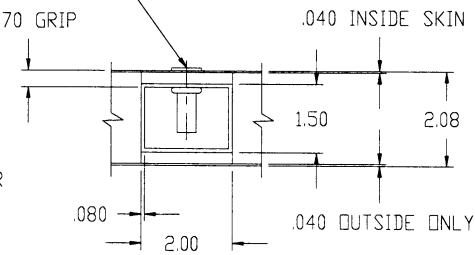


NOTE 1

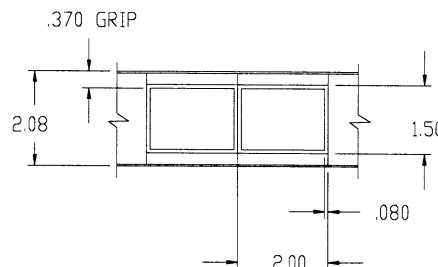


SECTION B-B
SCALE 1/2

RIVNUT S31B425
B.F. GOODRICH CO.
(NOT PART OF SHELTER)



SECTION D-D
SCALE 1/2
TYPICAL INSERT INSTALLATION



SECTION E-E
SCALE 1/2

REV	STATUS	REVISION	SHEET																										
		B	1	2	3	4	5	6	7	8	9	10	11	12	13	14	15	16	17	18	19	20	21	22	23	24	25	26	27
UNLESS OTHERWISE SPECIFIED			CONTRACT NO															East Locust Street Dallastown, PA 17313											
DIMENSIONS ARE IN INCHES.			APPROVALS															DATE											
TOLERANCES ON:			PREPARED WD															98-12-15											
2 PL DECIMALS ±			CHECKED WD															98-12-15											
3 PL DECIMALS ±			ENGINEER HZ															98-12-15											
ANGLES ±																		SHELLER, DEMILITARIZED, S-749, 7 FEET											
7032218	26152		SIZE															DRAWING NO											
NEXT ASSY	USED ON		D 29381															7032209											
APPLICATION			DO NOT SCALE DRAWING COPY															SCALE 1/16											
																		SHEET 1 OF 1											